

## ELECTRICAL CONTACT PRESSURE GAUGE WITH STEEL CASE MODEL : P531, P532, P533, P534, P537, P539 SERIES

# WISE®

### SERVICE INTENDED

P530 Series is designed for local reading of measured pressure and is equipped with an electrical contact block that allows all combinations of contacts to be used. The contact block is mounted on the dial. The window is fitted with a knob for external adjustment of the set points.

### NOMINAL DIAMETER

100 and 150mm

### ACCURACY

±1.5% of Full Scale

### SCALE RANGE (kgf/cm<sup>2</sup>, bar, kPa, MPa)

-76cmHg ~ 0 to -76cmHg ~ 20kgf/cm<sup>2</sup> and  
0 ~ 1kgf/cm<sup>2</sup> to 0 ~ 1000kgf/cm<sup>2</sup>

### WORKING PRESSURE

Steady : 75% of Full Scale  
Over Range Protection : 130% of Full Scale

### WORKING TEMPERATURE

Ambient : -20 ~ 65°C  
Fluid : -20 ~ 80°C



## Standard Features

### PRESSURE CONNECTION

Brass, Stainless Steel (316SS)

### ELEMENT

100mm

<50 kgf/cm<sup>2</sup> : Brass

≥50 kgf/cm<sup>2</sup> : 316SS

### ELEMENT

150mm

<20 kgf/cm<sup>2</sup> : Brass

≥20 kgf/cm<sup>2</sup> : 316SS

### CASE

Black Finished Aluminium.

### COVER

Black Finished Aluminium.  
Screwed

### WINDOW

Acrylic Resin

### MOVEMENT

Brass

### DIAL

White Aluminium with Black Graduations

### POINTER

BsT<sub>3</sub> Alloy, Black Painted Pointer with Golden Plated

### CONTACTS

Contact Rating : AC110V, 0.5A/AC 220V 0.25A

DC110V, 0.3A/DC 220V 0.15A

Dielectric Strength : AC 1000V/min

Insulation Resistance : More than 100Mohm at DC 500V

### PROCESS CONNECTION

3/8", 1/2" PT, NPT & PF

# ORDERING INFORMATION

## BASE MODEL

- P531 : HIGH ALARM CONTACT TYPE PRESSURE GAUGE
- P532 : HIGH AND LOW ALARM CONTACT TYPE PRESSURE GAUGE
- P533 : LOW ALARM CONTACT TYPE PRESSURE GAUGE
- P534 : HIGH AND H/HIGH ALARM CONTACT TYPE PRESSURE GAUGE
- P537 : LOW AND L/LOW ALARM CONTACT TYPE PRESSURE GAUGE
- P539 : HIGH ALARM CONTACT TYPE PRESSURE GAUGE FOR TRANSFORMER

## NOMINAL DIAMETER

- 4 : 100mm
- 6 : 150mm, Not available with Model P539 Series

## MOUNTING TYPE (Refer to Mounting type & Dimension)

- A : Bottom Connection, Direct
- B : Bottom Connection, Surface, Case Mounting Plate. Not available with Diameter 150mm
- G : Lower Back Connection, Direct, Not Available with diameter 100mm. Only available with Model P539
- L : Lower Back Connection, Flush, Case Center Mounting Plate, Not available with Diameter 150mm
- M : Lower Back Connection, Flush, Cover Center Mounting Bracket, Only available with Diameter 150mm

## ACCURACY

- 4 : ±1.5% of Full Scale

## PROCESS CONNECTION

- D : 3/8"
- E : 1/2", Only Available with "L" Mounting Type

## CONNECTION TYPE

- C : PT
- D : NPT
- B : PF
- Z : Other

## UNIT

Refer to Pressure Range Table

## RANGE

Refer to Pressure Range Table

## PRESSURE CONNECTION MAT'L AND DIALS COLOR

- 1 : Brass & 2 Colors
- 3 : 316SS & 2 Colors
- 5 : Brass & 3 Colors, Available with Compound and Vacuum Gauge
- 7 : 316SS & 3Colors, Available with Compound and Vacuum Gauge

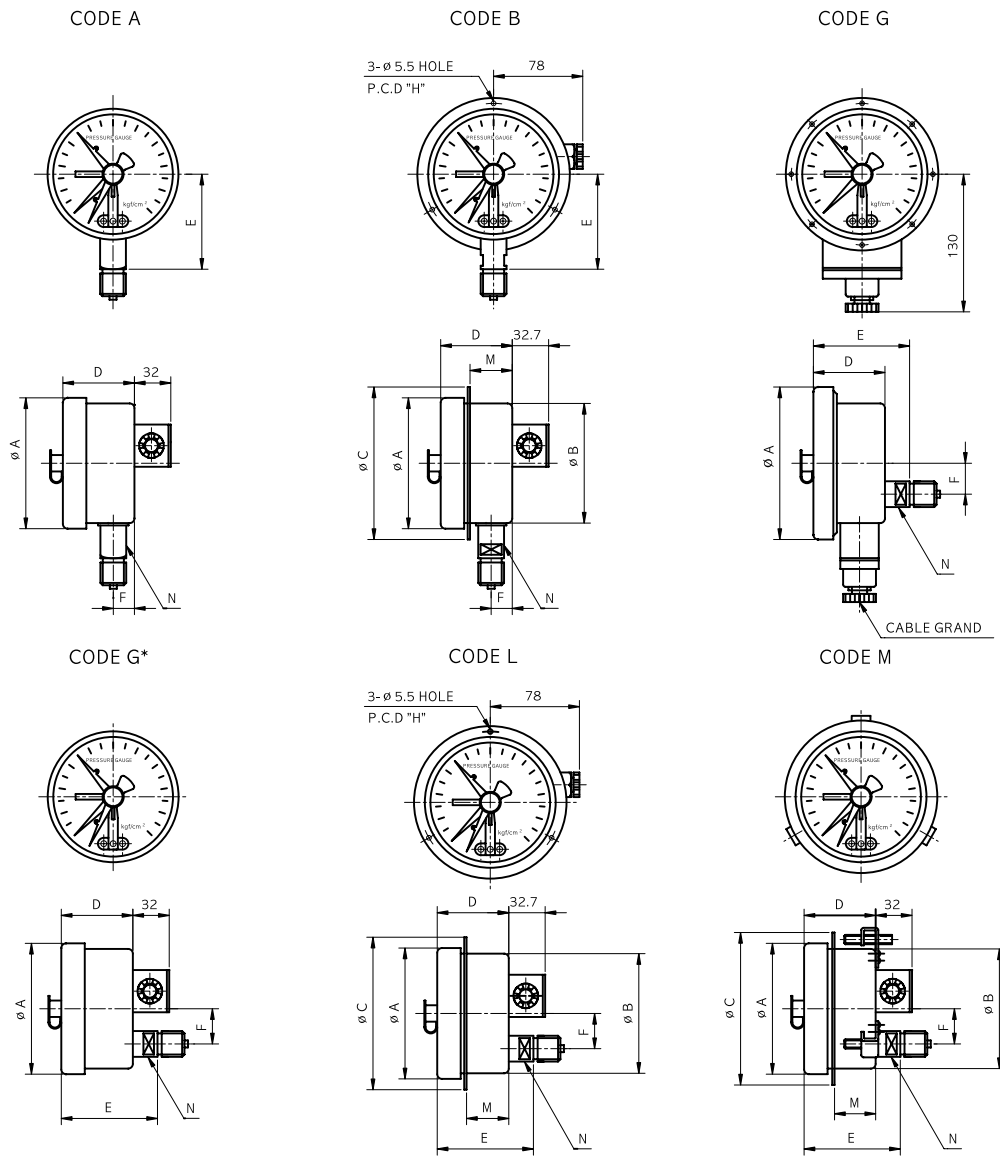
## OPTIONS

- 0 : None
- 1 : Accessories



**SAMPLE MODEL NUMBER**

# P530 SERIES : TYPE OF MOUNTING



Dimensions (mm)

DIAL SIZE	AVAILABLE CODE	A	B	C	D	E	F	H	M	N	
100	P531 P533	A			78.5	74	15			14	
		B	110	107	136	78.5	74	15	120	58.5	14
		L	110	107	136	78.5	97.3	36	120	58.5	17
	P532 P534	A	110			78.5	74	15			14
		B	110	107	136	78.5	74	15	120	58.5	14
		L	110	107	136	78.5	97.3	36	120	58.5	17
	P537	A	110			78.5	74	15			14
		B	110	107	136	78.5	74	15	120	58.5	14
		L	110	107	136	78.5	97.3	36	120	58.5	17
	P539	G	134			68	86	36			14
G		134			68	86	36			14	
150	P531 P533	A	172			68.5	107	18.2		22	
		G*	172			68.5	86.3	45		17	
		M	172	159	192	69	86.8	45		60	17
	P532 P534	A	172			68.5	107	18.2		22	
		G*	172			68.5	86.3	45		17	
		M	172	159	192	69	86.8	45		60	17
	P537	A	172			68.5	107	18.2		22	
		G*	172			68.5	86.3	45		17	
		M	172	159	192	69	86.8	45		60	17

## PRESSURE UNIT & RANGE TABLE

RANGE & CODE	UNIT & CODE					P531, P532, P533, P534, P537		P539
	C : cmHg	B : kgf/cm <sup>2</sup>	H : bar	J : kPa	I : MPa	100mm	150mm	100mm
026	-76~0	X	-1~0	-100~0	X	○	○	○
040	X	0~0.5	0~0.5	X	X	○	○	○
041	X	0~1	0~1	0~100	X	○	○	○
042	X	0~2	0~2	0~200	X	○	○	○
043	X	0~3	0~3	0~300	X	○	○	○
044	X	0~4	0~4	0~400	X	○	○	○
045	X	0~6	0~6	0~600	X	○	○	○
047	X	0~10	0~10	0~1000	X	○	○	○
050	X	0~15	0~15	X	0~1.5	○	○	○
051	X	0~20	0~20	X	0~2	○	○	○
052	X	0~25	0~25	X	0~2.5	○	○	○
054	X	0~35	0~35	X	0~3.5	○	○	○
055	X	0~50	0~50	X	0~5	○	○	○
057	X	0~70	0~70	X	0~7	○	○	○
058	X	0~100	0~100	X	0~10	○	○	○
059	X	0~150	0~150	X	0~15	○	○	○
062	X	0~250	0~250	X	0~25	○	○	○
064	X	0~350	0~350	X	0~35	○	○	○
066	X	0~500	0~500	X	0~50	○	○	○
068	X	0~700	0~700	X	0~70	○	○	○
070	X	0~1000	0~1000	X	0~100	○	○	○
027	X	-76~1	-1~1	-100~100	X	○	○	○
028	X	-76~2	-1~2	-100~200	X	○	○	○
029	X	-76~3	-1~3	-100~300	X	○	○	○
030	X	-76~4	-1~4	-100~400	X	○	○	○
031	X	-76~6	-1~6	-100~600	X	○	○	○
032	X	-76~10	-1~10	-100~1000	X	○	○	○
033	X	-76~15	-1~15	X	-100~1.5	○	○	○
034	X	-76~20	-1~20	X	-100~2	○	○	○

○ : AVAILABLE × : NOT AVAILABLE